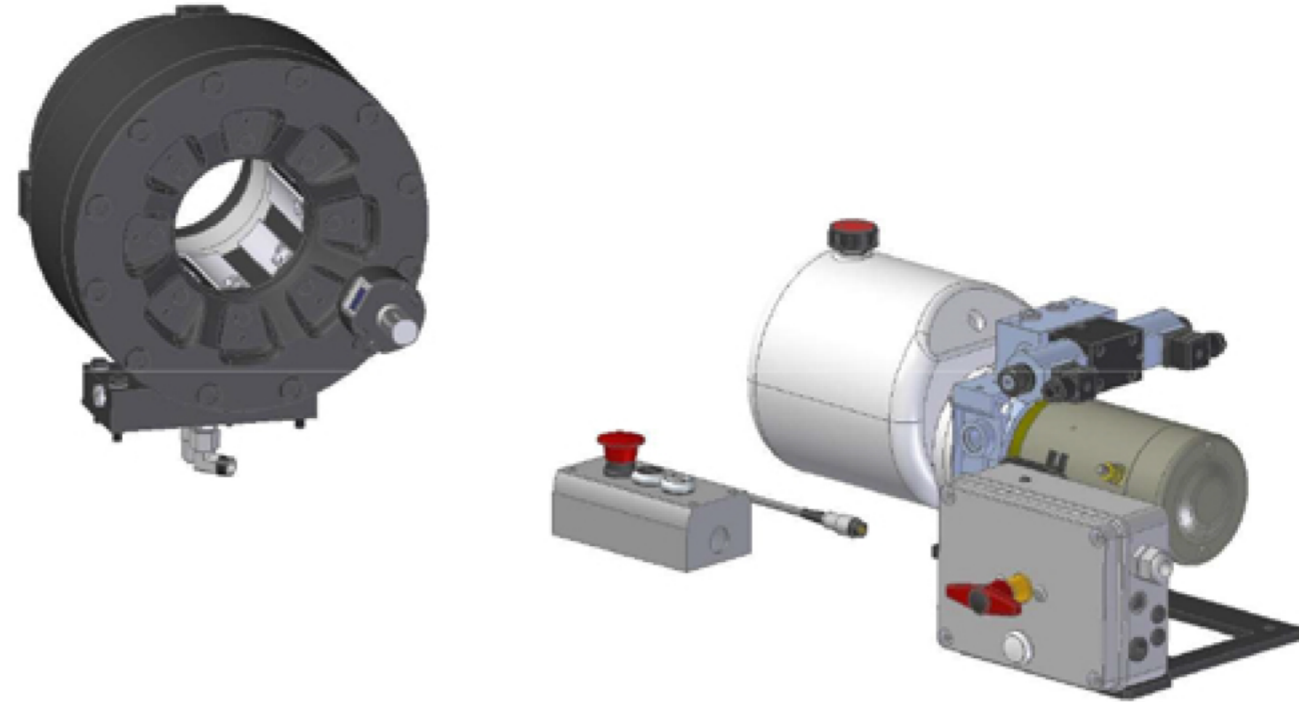
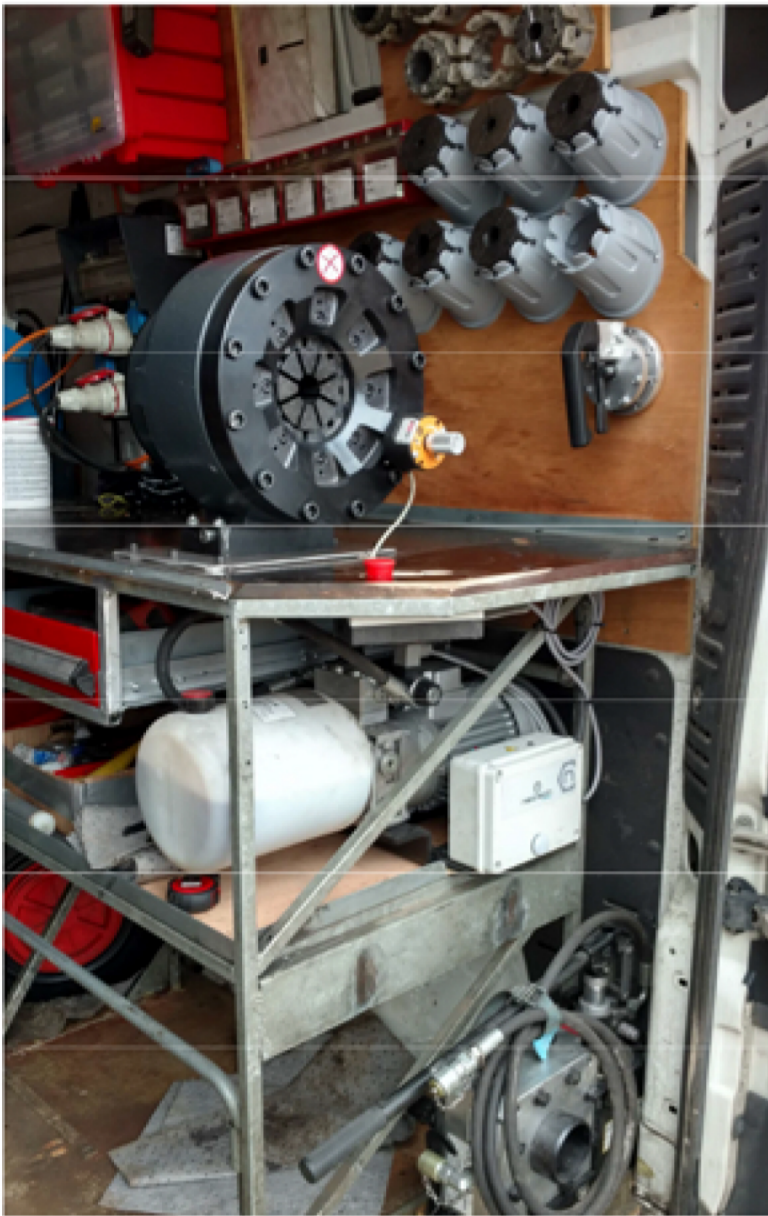
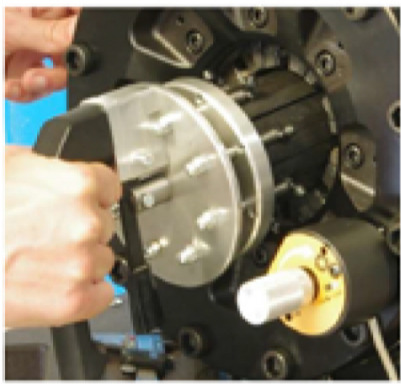


# NKS-40

Hose crimping set with splitted head, power pack and controls for vans (up to 2" – DN51)



The NKS-40 is a splitted version of our NK40 hose crimper, specially designed for kitting mobile vans. The head must be linked to the hydraulic unit by 2 hose assemblies 3/8" size (3/8" BSP Ports) . The kit is supplied with 2.5 metre long electric cable to link the electric box to the control box. The NKS concept allows to optimize the space and the weight in the hose repair vans. The NKS40 is available in different electric voltages 12V, 24V, 110V, 220V 1-PH or 400V 3-PH



**ACCESSORIES AND OPTIONS**

- Quick Die Change Tool (QCT-NLS)
- Die Storage Panel (WP-12PDR)
- Individual die storage pods (PDR-1)



Technical Specifications NKS-40	
Hose capacity: <i>Intermittent use in hydraulic hose assembling</i>	2-SN et LP Industriel .....2" (DN50; -32) 4-SP/4-SH/R12 .....1 1/2" (DN38; -24) R13/R15/Interlock .....1 1/4" (DN32, -20) Limit with 2 x 90 elb ..... max.. 1.1/2" (DN38) Max. crimp range..... 76mm
Motor / Electricity	2.2 KW - 400v 3-PH + N 2.2 KW - 230V 1-PH 50/60HZ 1.5 KW – 110V 60HZ 1-PH 2 000 W - 12 V.DC, Connect to aux. Battery min 180A/H (Baterly is not supplied. Available on request)
Radial press force	220 Tons
Opening with dies	Ø Die + 38mm
Press spath	Ø Die + 14mm
Opening without dies	118 mm
Length master die shoes	100 mm
Machine dimensions (mm)	Head on block : Ø 300 H= 290 D= 330 Hydraulic unit : 500 x 280 x H 300 Control box : 160 x 85 x H 90
Net weight (with oil, w/o dies)	118 KG Head only NKS-40 : 80 Kg
Standard packing	Wood crate conform to ISPM15 Crate size : 58x70x75cms, Gross weight (with 9 sets of dies) : 160 kgs
Noise level	< 80 dB(A)

Ø Dies	Length (mm)
6	56
10	56
12	56
15	56
18	56
21	56
24	70
27	70
30	70
33	90
39	90
45	100
48	100
51	100
57	100
66	100
70	100